



Sample Gas Filter AGF-T-30

Even if the particular contaminant has already been removed at the extraction point through effective particle filtration inside the gas sampling probe, in long or branched sample gas line there is a risk of secondary contamination. Additional filters are therefore often installed at the point where the sample gas enters the analysis system and also before delicate system components. The filter housings must be made of corrosion-resistant, non-absorbent materials, easy to install and easy to maintain. They should further be compatible with various filter elements.

The AGF-T- 30 series has a PTFE and glass housing. The filter head has an additional connection for installing a moisture detector. A variety of materials is available based on the application.

Full PTFE housing top

Maximum chemical resistance, for use in highly aggressive mediums

Filter fineness of 2 µm or 25 µm with sintered PTFE elements

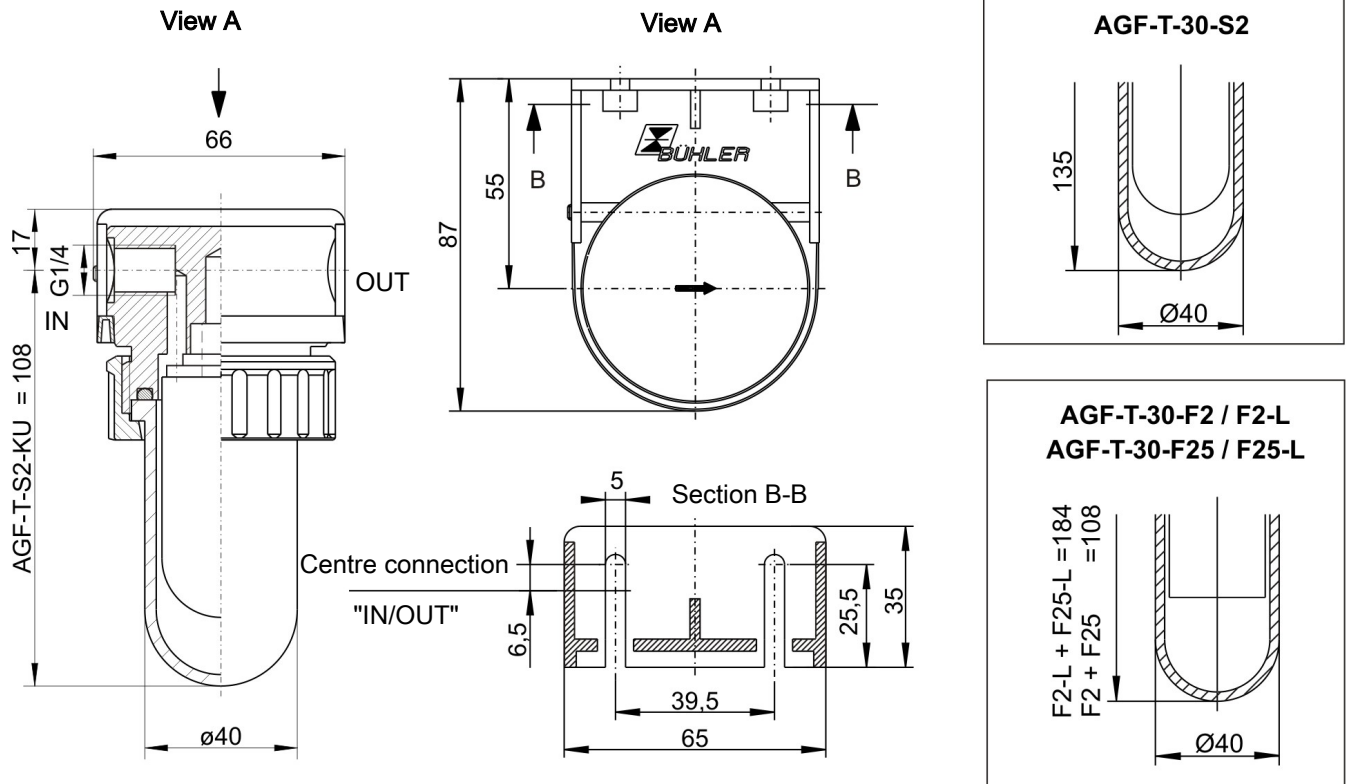
No absorption of trace gasses

Quick response time in systems due to low dead volume

Variable wall mount



Dimensions



Use in explosive areas (additional notices):

The filter meets the fundamental safety requirements of Directive 2014/34/EU and is suitable for use in Category 2G, Explosion class IIB areas. The filter is not marked, as it does not have an innate ignition source and Directive 2014/34/EU therefore does not apply.

Flammable gases, explosion class IIB or IIC, which could occasionally be explosive during normal operation may be conveyed through the filter.

Be sure to observe the instructions in the respective operating instructions!

Ambient temperature range for Ex area applications: -5 °C ≤ T_{amb} ≤ 60 °C.

Technical Data

AGF-T-30 Fine mesh filter

| | |
|----------------------------|----------------------|
| Material – Filter head | PTFE |
| Material – Filter cover | Glass |
| Material – Gasket | Viton, PTFE shrouded |
| Operating pressure max. | 4 bar |
| Operating temperature max. | 100 °C |

Ordering instructions

Filter*

| AGF-T- | 30-S2 | 30-S2-KU | 30-F2 | 30-F2-L | 30-F25 | 30-F25-L |
|-----------------|---------|----------|---------|---------|---------|----------|
| Filter fineness | 2 µm | 2 µm | 2 µm | 2 µm | 25 µm | 25 µm |
| Item no. | 4151399 | 4151499 | 4151799 | 4151099 | 4151199 | 4151299 |
| Element | S2 | S2KU | F2 | F2-L | F25 | F25-L |
| Dead volume | 57 ml | 50 ml | 57 ml | 108 ml | 57 ml | 108 ml |
| Weight approx. | 0.41 kg | 0.35 kg | 0.35 kg | 0.43 kg | 0.35 kg | 0.43 kg |

* one filter element is included with delivery.

Filter elements

| Item no. | Model | Filter element | Material | Filter fineness | Filter surface | Packing unit | Ex application |
|-------------|-------|----------------|------------|-----------------|---------------------|--------------|----------------|
| 41 01 00 10 | S2 | Sleeve | Fibreglass | 2 µm | 80 cm ² | 5 pieces | IIC |
| 41 01 00 2 | S2 | Sleeve | Fibreglass | 2 µm | 80 cm ² | 25 pieces | IIC |
| 41 01 01 40 | S2-KU | Sleeve | Fibreglass | 2 µm | 61 cm ² | 5 pieces | IIC |
| 41 01 01 50 | S2-KU | Sleeve | Fibreglass | 2 µm | 61 cm ² | 25 pieces | IIC |
| 41 03 00 50 | F2 | Sintered PTFE | PTFE | 2 µm | 60 cm ² | 5 pieces | IIB |
| 41 02 01 30 | F25 | Sintered PTFE | PTFE | 25 µm | 60 cm ² | 5 pieces | IIB |
| 41 02 00 50 | F2-L | Sintered PTFE | PTFE | 2 µm | 125 cm ² | 2 pieces | IIB |
| 41 01 01 20 | F25-L | Sintered PTFE | PTFE | 25 µm | 125 cm ² | 2 pieces | IIB |